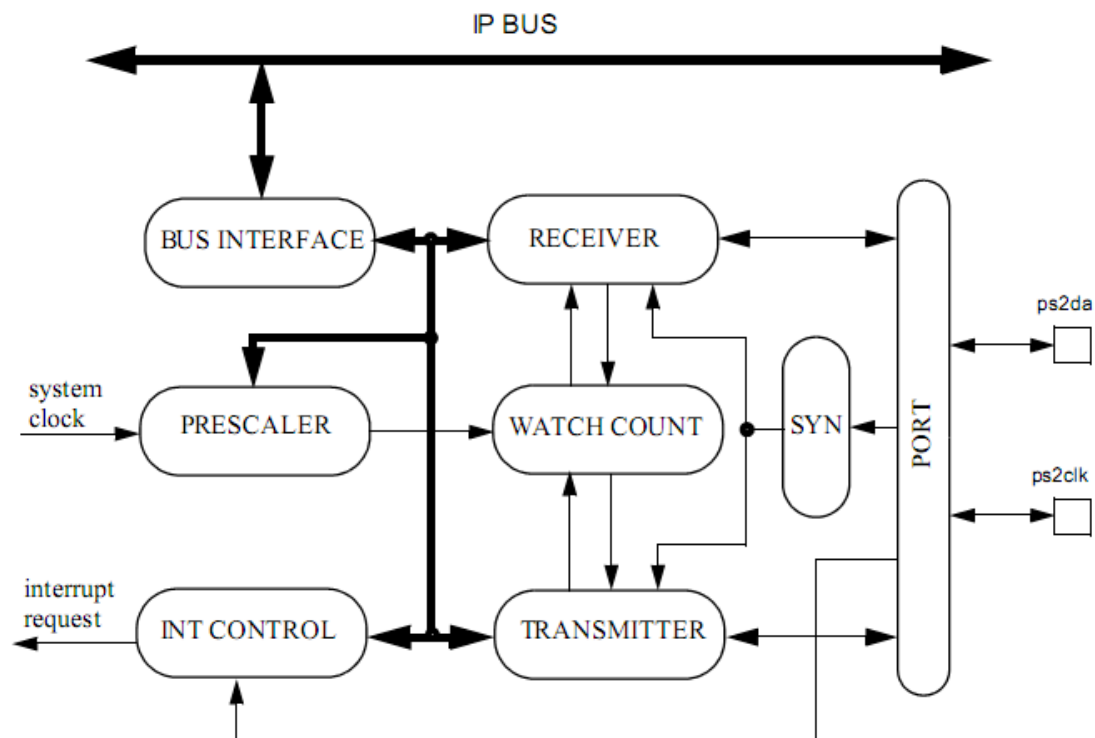


# PS2 Module

## Summary

The PS/2 host controller (PS2HC) module is used to communicate with the PS/2 mode devices, such as the PS/2 keyboard and the mouse. The PS2HC is fully implemented by the hardware logic so that it is convenient to be used.



**PS2 Block Diagram**

## Features

- 11-bit data format(1-bit start, 8-bit data, 1-bit parity, 1-bit stop)
- Separate transmitter and receiver
- Interrupt-driven operation with nine flags of the normal communication:
  - Output Buffer Empty
  - Transmit Complete
  - Input Buffer Full
  - Packet Transmit Timeout
  - Respond Transmit Request Timeout
  - Respond Command Timeout
  - Parity Error
  - Frame Error
  - Acknowledge Bit Miss
- Support the doze and the stop low-power modes
- Wakeup function from the low-power modes
- General-purpose I/O capability

*To obtain more information about the PS2 or other C\*Core™ products, please contact the C\*Core Technology Co., Ltd. by phone: 0512-68091377, email: [support@china-core.com](mailto:support@china-core.com) or web: <http://www.china-core.com>.*

*C\*Core™ is a trade mark of C\*Core Co., Ltd.*